



TECHNICAL DATA SHEET: LE2TA200-RO FULL MOTION TV WALL MOUNT

The Essentials Series is a range of **simple**, no-fuss **TV mounts** that offer **fully-featured**, easy to use **functionality** at price points that represent **excellent value for money**.

The range is carefully tailored to cover all **LCD, LED and Plasma TV mounting requirements**.

Our designs offer **reduced package size for improved shipping fills**, reducing your carbon footprint. The product packaging also offers easy **merchandising** with simple to shop communicative icons.

Features:

- Triple arm motion for ultimate viewing flexibility and superior strength
- Tool free adjustment of tilt action
- Perfect for corners

23"-50" 
58-127CM



Technical Specifications:

Max Load	Distance from wall (Folded)	Distance from wall (Extended)	Swivel Range	Tilt Range	No of Articulation Points	Mounting Pattern	VESA Compatible
25Kg/ 55lbs	64mm/ 2.5"	308 12.1	+/-90°	+15/-5°	4	Single Stud & Solid Wall	75x75 to 200x200



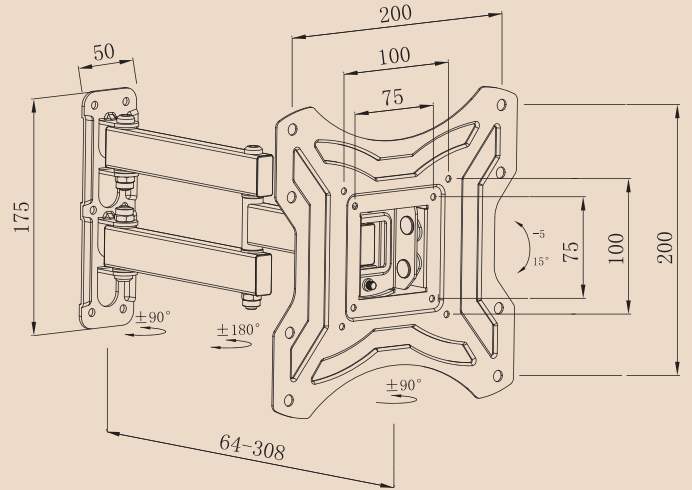


**DIMENSIONS & SPECIFICATIONS SHEET: LE2TA200-RO
FULL MOTION TV WALL MOUNT**

Packed image



Line drawing



All dimensions are in mm

Packaging Information:

Product Number	Description	Product Packaging		Outer Packaging		
		Type	Barcode	Type	Qty in Box	Barcode
LE2TA200-RO	Full Motion TV Wall Mount	Colour Gift Box	5015056 538297	Brown Outer with Label	10	05015056 540474

Weight & Dimensions:

Product			Product Box			Outer Box		
Extended	Folded	Net Weight	Dimensions	Gross Weight	Cubic	Dimensions	Gross Weight	Cubic
23 x 23 x 30.8 cm	24.5 x 23 x 6.4 cm	1.53kg	25.5 x 23.5 x 7 cm	0.18kg	0.0042m ³	50.5 x 38.8 x 30.3 cm	17.82kg	0.0594m ³
9.06" x 9.06" x 12.13"	9.65" x 9.06" x 2.52"	3.366lbs	10.04" x 9.25" x 2.76"	0.4lbs	0.1481ft ³	19.88" x 15.28" x 11.93"	39.204lbs	2.0966ft ³