

**NEO protective pads:** Our specially engineered NEO pads protect your TV from unwanted marks and scratches and also act as an extra layer of audio insulation preventing resonance and vibration from your speaker system from affecting your TV.

**Tilt and turn Mechanism:** Avoid reflections and find your perfect viewing angle simply and easily with your mounts turn and tilt functions.

**Spirit Level:** Comes with an integrated spirit level to make installation accurate and more convenient.

**Quick adjust lever:** Raise the lever, adjust the tilt to the desired position then press the lever down. Simple and effortless allowing you to find the perfect viewing angle every time.

**Attractive wall plate cover:** Your mount effortlessly blends unobtrusively into any interior with the supplied wall plate cover.

**Safety pull cord lock:** The mount locks solidly into place with spring clips for safety and peace of mind. Pull cords are supplied to open the clips allowing for easy removal of TV if required.

**Multi colour design language:** The new TV you just purchased is a work of art with or without a picture on the screen, Now your mount can be just as much a design feature as the TV its connected to!

**5 Year Warranty:** Our mounts are built to last. Each one comes with a 5 year warranty as standard.

**Quality Construction:** Made with the highest quality components and over a decade of experience.



**Technical Specifications:**

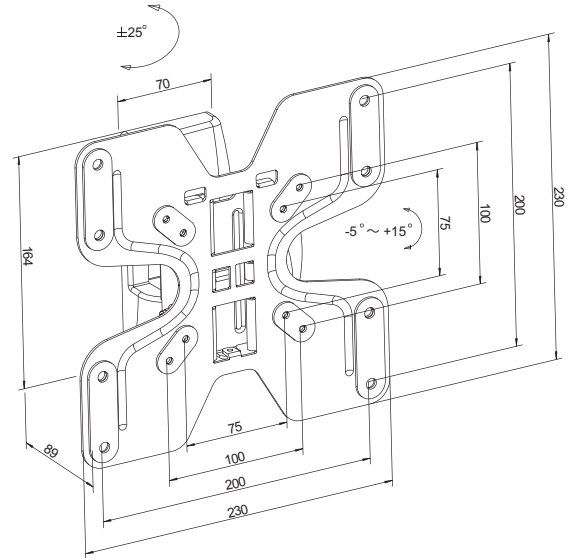
| Max Load    | Distance from wall (Folded) | Distance from wall (Extended) | Swivel Range | Tilt Range | No of Articulation Points | Mounting Pattern         | VESA Compatible  |
|-------------|-----------------------------|-------------------------------|--------------|------------|---------------------------|--------------------------|------------------|
| 25Kg/ 55lbs | 89mm/ 3.5"                  | n/a n/a                       | ±25°         | -5°/+15°   | 1                         | Single Stud & Solid Wall | 75x75 to 200x200 |



Packed image



Line drawing



All dimensions are in mm

**Packaging Information:**

| Product Number | Description          | Product Packaging |               | Outer Packaging        |            |               |
|----------------|----------------------|-------------------|---------------|------------------------|------------|---------------|
|                |                      | Type              | Barcode       | Type                   | Qty in Box | Barcode       |
| LN2ST200-RO    | Tilt & Turn TV Mount | Colour Gift Box   | 5015056591674 | Brown Outer with Label | 6          | 5015056544274 |

**Weight & Dimensions:**

| Product               |        | Net Weight | Product Box           |              |                       | Outer Box                |              |                       |
|-----------------------|--------|------------|-----------------------|--------------|-----------------------|--------------------------|--------------|-----------------------|
| Extended              | Folded |            | Dimensions            | Gross Weight | Cubic                 | Dimensions               | Gross Weight | Cubic                 |
| 23 x 23 x 8.9 cm      | n/a    | 1.43kg     | 24.2 x 23.5 x 9.5 cm  | 1.71kg       | 0.0054m <sup>3</sup>  | 50.5 x 26 x 31 cm        | 10.76kg      | 0.0407m <sup>3</sup>  |
| 9.06" x 9.06" x 3.50" | n/a    | 3.146lbs   | 9.53" x 9.25" x 3.74" | 3.762lbs     | 0.1908ft <sup>3</sup> | 19.88" x 10.24" x 12.20" | 23.672lbs    | 1.4374ft <sup>3</sup> |