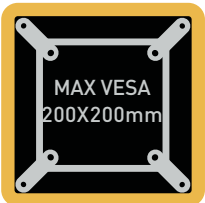


23-50"
M 58-127cm



NEO protective pads: Our specially engineered NEO pads protect your TV from unwanted marks and scratches and also act as an extra layer of audio insulation preventing resonance and vibration from your speaker system from affecting your TV.

Super low profile: Get that picture frame style look you've always wanted with a Ross Super low profile mount. Enjoy the improved look and additional feeling of space in your room.

Safety Locking screw: Peace of mind is guaranteed with our hard locking safety screw. Relax and enjoy your viewing without worry.

Multi colour design language: The new TV you just purchased is a work of art with or without a picture on the screen, Now your mount can be just as much a design feature as the TV its connected to!

5 Year Warranty: Our mounts are built to last. Each one comes with a 5 year warranty as standard.

Quality Construction: Made with the highest quality components and over a decade of experience.



Technical Specifications:

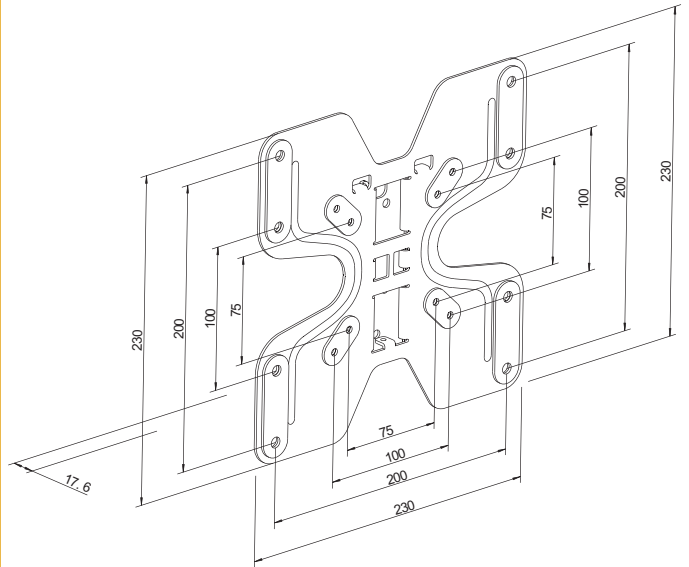
Max Load	Distance from wall (Folded)	Distance from wall (Extended)	Swivel Range	Tilt Range	No of Articulation Points	Mounting Pattern	VESA Compatible
25Kg/ 55lbs	16mm/ 0.6"	n/a n/a	n/a	n/a	0	Single Stud & Solid Wall	75x75 to 200x200



Packed image



Line drawing



All dimensions are in mm

Packaging Information:

Product Number	Description	Product Packaging		Outer Packaging		
		Type	Barcode	Type	Qty in Box	Barcode
LE2F200-RO	Flat to Wall TV Mount	Colour Gift Box	5015056593982	Brown Outer with Label	6	5015056544236

Weight & Dimensions:

Product		Product Box				Outer Box		
Extended	Folded	Net Weight	Dimensions	Gross Weight	Cubic	Dimensions	Gross Weight	Cubic
23 x 23 x 1.8 cm	n/a	0.91kg	24.2 x 23.5 x 2.5 cm	1.11kg	0.0014m ³	26.5 x 18.5 x 26.5 cm	7.16kg	0.0130m ³
9.06" x 9.06" x 0.71"	n/a	2.002lbs	9.53" x 9.25" x 0.98"	2.442lbs	0.0502ft ³	10.43" x 7.28" x 10.43"	15.752lbs	0.4588ft ³