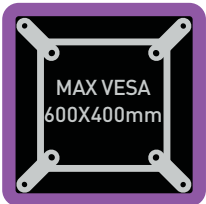
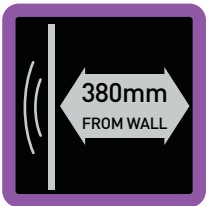
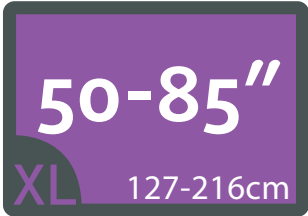




TECHNICAL DATA SHEET: LN2RFM600-RO
SIX ARM CANTILEVER FULL MOTION TV WALL MOUNT



NEO protective pads: Our specially engineered NEO pads protect your TV from unwanted marks and scratches and also act as an extra layer of audio insulation preventing resonance and vibration from your speaker system from affecting your TV.

6-Arm Cantilever: The ultimate in stability two sets of triple arms combine to deliver silky smooth movement and top grade rigidity. Strong, stable and smooth every time its repositioned.

Shaped Arms: Concave shaped arms, precision designed by our experienced design team to deliver the best, strongest and most stable performance.

Spirit Level: Comes with an integrated spirit level to make installation accurate and more convinient.

Quick adjust lever: Raise the lever, adjust the tilt to the desired position then press the lever down. Simple and effortless allowing you to find the perfect viewing angle every time.

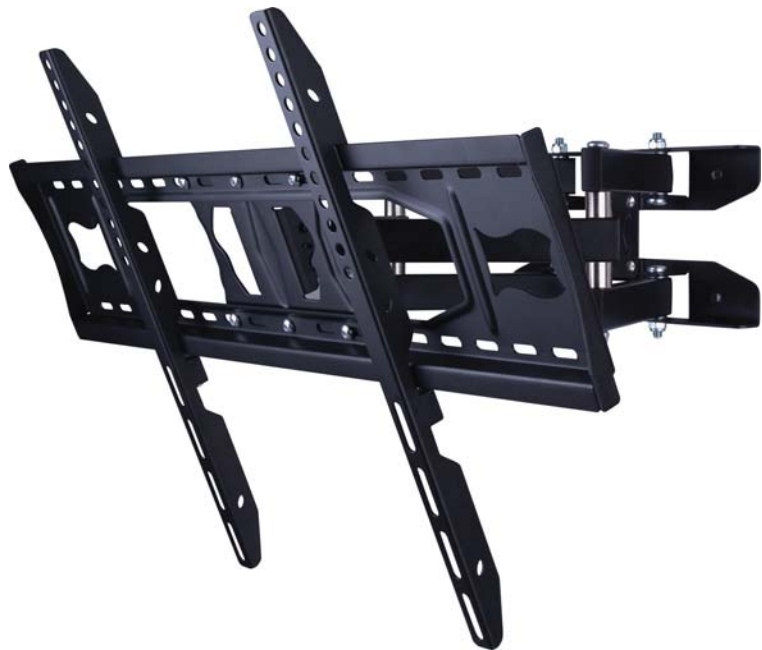
Safety pull cord lock: The mount locks solidly into place with spring clips for safety and peace of mind. Pull cords are supplied to open the clips allowing for easy removal of TV if required.

Vesa Extender Plates: Your mount functions in standard 200 VESA mode or add the included VESA extender plates to take it all the way up to 400 VESA for extra TV compatibility.

Multi colour design language: The new TV you just purchased is a work of art with or without a picture on the screen, Now your mount can be just as much a design feature as the TV its connected to!

5 Year Warranty: Our mounts are built to last. Each one comes with a 5 year warranty as standard.

Quality Construction: Made with the highest quality components and over a decade of experience.



Technical Specifications:

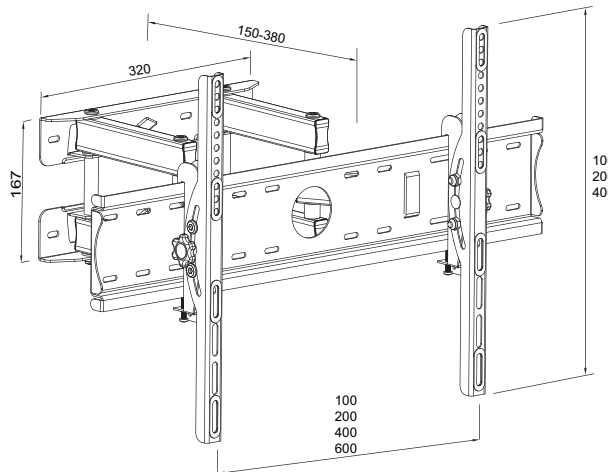
| Max Load | Distance from wall (Folded) | Distance from wall (Extended) | Swivel Range | Tilt Range | No of Articulation Points | Mounting Pattern | VESA Compatible |
|--------------|-----------------------------|-------------------------------|--------------|------------|---------------------------|--------------------------|--------------------|
| 50Kg/ 110lbs | 110mm/ 4.3" | 380 15" | ±53° | ±15° | 6 | Double Stud & Solid Wall | 100x100 to 600x400 |



Packed image



Line drawing



All dimensions are in mm

Packaging Information:

| Product Number | Description | Product Packaging | | Outer Packaging | | |
|----------------|--|-------------------|---------------|------------------------|------------|---------------|
| | | Type | Barcode | Type | Qty in Box | Barcode |
| LN2RFM600-RO | Six Arm Cantilever Full Motion TV Wall Mount | Colour Gift Box | 5015056591872 | Brown Outer with Label | 2 | 5015056544472 |

Weight & Dimensions:

| Product | | | Product Box | | | Outer Box | | |
|--------------------------|-------------------------|------------|-------------------------|--------------|-----------------------|-------------------------|--------------|-----------------------|
| Extended | Folded | Net Weight | Dimensions | Gross Weight | Cubic | Dimensions | Gross Weight | Cubic |
| 66.8 x 43 x 38 cm | 66.8 x 43 x 11 cm | 5.95kg | 71 x 32 x 7 cm | 6.7kg | 0.0159m ³ | 71.5 x 35 x 18.5 cm | 14.4kg | 0.0463m ³ |
| 26.30" x 16.93" x 14.96" | 26.30" x 16.93" x 4.33" | 13.09lbs | 27.95" x 12.60" x 2.76" | 14.74lbs | 0.5616ft ³ | 28.15" x 13.78" x 7.28" | 31.68lbs | 1.6349ft ³ |